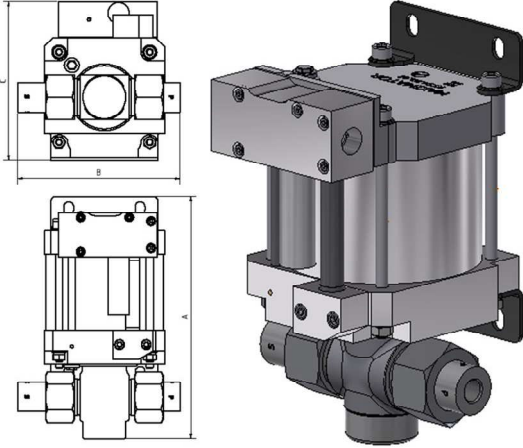


Technical Data Sheet

S80 SS

» Water service



S80-SS
single acting, single air drive head

Technical Data:

Air drive pressure:	1 - 10 bar / 14.5 - 145 psi
Calculated working pressure:	800 bar / 11600 psi
Pressure ratio:	1:80
Displacement volume/double stroke:	6.2 cm ³ / 0.37 cu.inch

Connections:

Inlet:	3/8" BSP
Outlet:	3/8" BSP
Air drive:	1/2" BSP
Maximum operating temperature:	60°C
Net weight:	7 kg

Pressure and flow performances, please see enclosed graph.

Wetted materials of construction:

Top cap:	3.4311.01
Air cylinder:	3.3206
Seal package:	UHMWPE, FKM
Pump Body:	1.4313
HP Piston:	1.4112

Approximate Dimensions:

A:	273 mm
B:	182 mm
C:	178 mm

Available Accessories:

Air control units with filter pressure regulator, control pressure gauge and shut off valve:	S80-SS with C1.5
To protect the pump against excessive outlet pressures or to limit the outlet pressure, a safety valve can be fitted to the air control unit in the air drive line.	S80-SS with C1.5/SV-air (The required outlet pressure has to be indicated.)

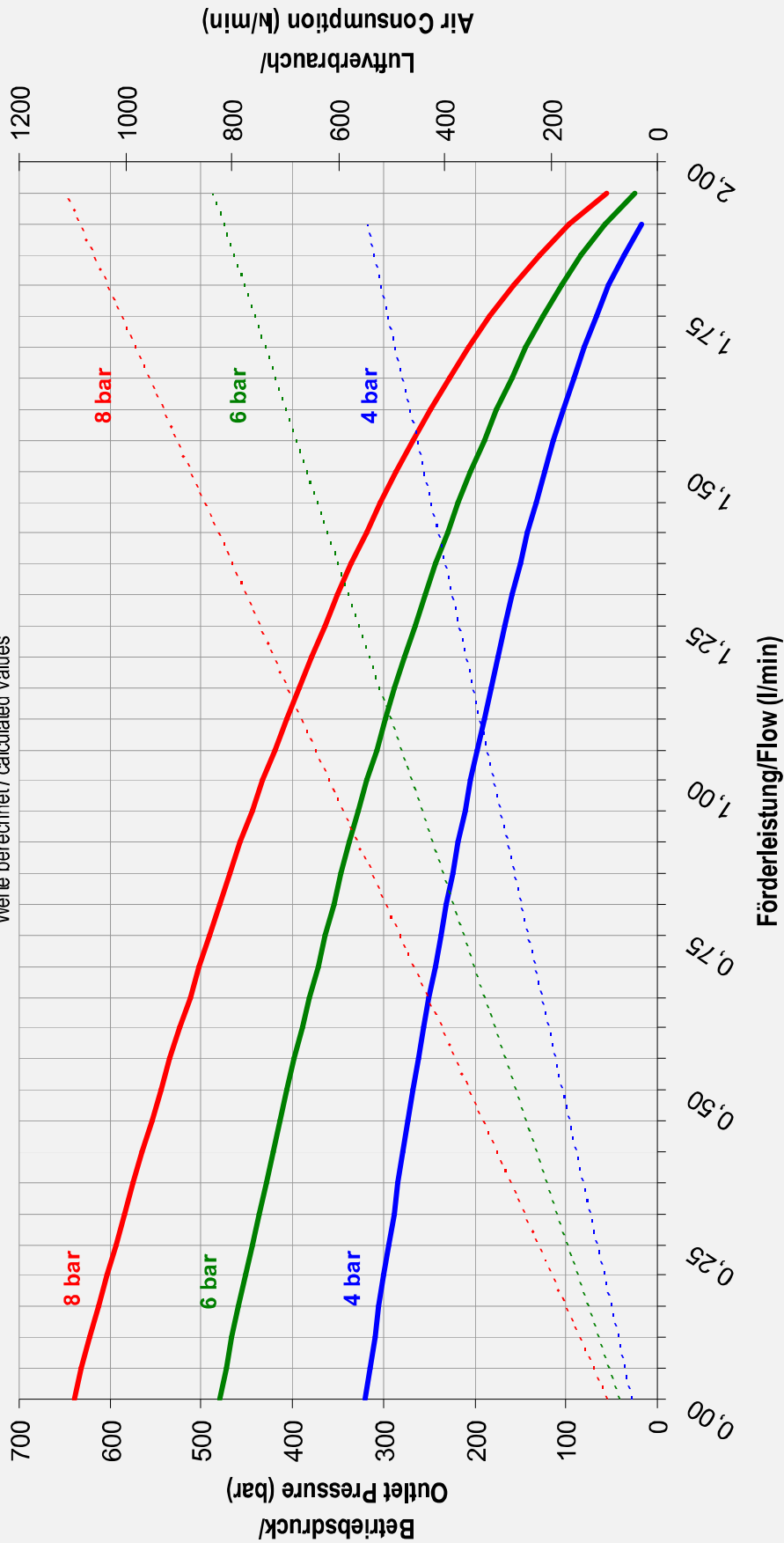
Please consult factory for more information. All technical and dimensional information subject to change. All General Terms and Conditions of sale, including limitations of our liability, apply to all products and services sold.



Leistungsdiagramm/Performance Graph S 80 SS

Prüfflüssigkeit/Liquid: Wasser-Öl-Emulsion/Water Oil Emulsion ca. 1 - 10 cst

Werte berechnet/ calculated values



- Betriebsdruck bei/Outlet Pressure at 4 bar
- Betriebsdruck bei/Outlet Pressure at 6 bar
- Betriebsdruck bei/Outlet Pressure at 8 bar
- ⋯ Luftverbrauch bei/Air consumption at 4 bar
- ⋯ Luftverbrauch bei/Air consumption at 6 bar
- ⋯ Luftverbrauch bei/Air consumption at 8 bar