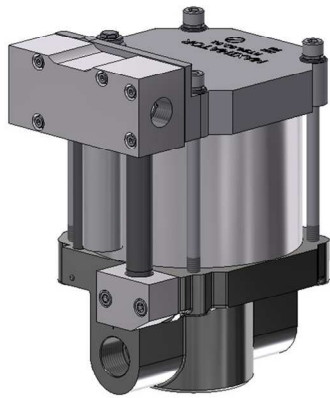
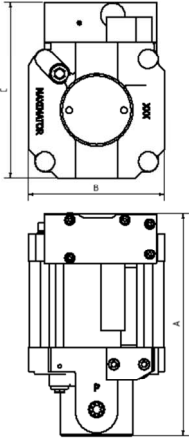


Technical Data Sheet

S60

» Oil service



Technical Data:

Air drive pressure:	1 - 10 bar / 14.5 - 145 psi
Calculated working pressure:	610 bar / 8845 psi
Pressure ratio:	1:61
Displacement volume/double stroke:	8.0 cm ³ / 0.49 cu.inch

Connections:

Inlet:	1/2" BSP
Outlet:	3/8" BSP
Air drive:	1/2" BSP
Maximum operating temperature:	60°C
Net weight:	9.1 kg

S60

single acting, single air drive head

Pressure and flow performances, please see enclosed graph.

Wetted materials of construction:

Top cap:	3.4311.01
Air cylinder:	3.3206
Seal package:	Polyurethane, NBR
Pump Body:	0.7050
HP Piston:	1.4112

Approximate Dimensions:

A:	220 mm
B:	135 mm
C:	174 mm

Available Options:

Special inlet and outlet ports, i.e. NPT:	S60-NPT
Special seal material to handle special fluids on request.	

Available Accessories:

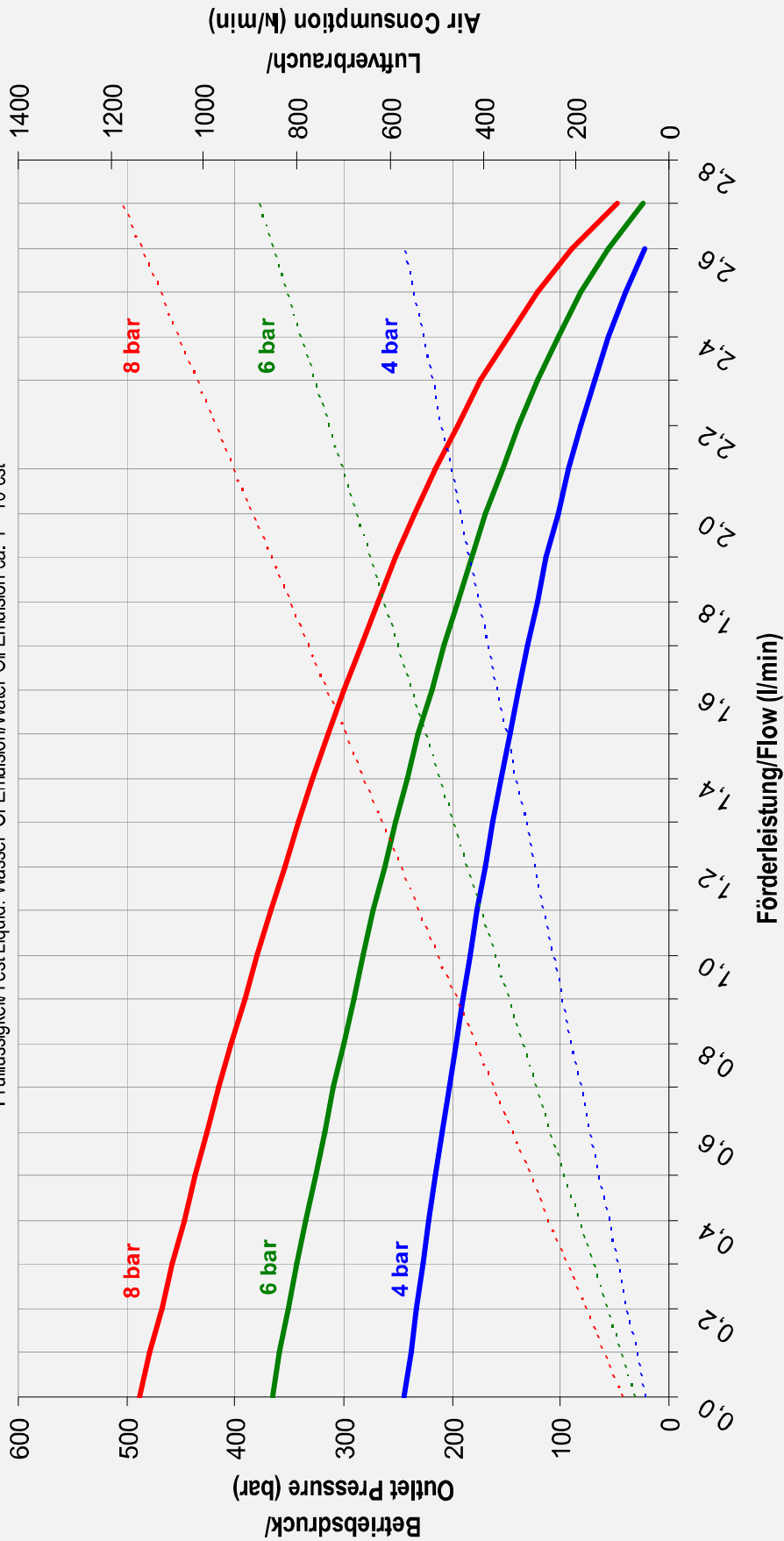
Air control units with filter pressure regulator, control pressure gauge and shut off valve:	S60 with C1.5
To protect the pump against excessive outlet pressures or to limit the outlet pressure, a safety valve can be fitted to the air control unit in the air drive line.	S60 with C1.5/SV-air (The required outlet pressure has to be indicated.)

Please consult factory for more information. All technical and dimensional information subject to change. All General Terms and Conditions of sale, including limitations of our liability, apply to all products and services sold.



Leistungsdiagramm/Performance Graph S 60

Prüfflüssigkeit/Test Liquid: Wasser-Öl-Emulsion/Water Oil Emulsion ca. 1 - 10 cst



- Betriebsdruck bei/Outlet Pressure at 4 bar
- Betriebsdruck bei/Outlet Pressure at 8 bar
- Betriebsdruck bei/Outlet Pressure at 6 bar
- ⋯ Luftverbrauch bei/Air consumption at 4 bar
- ⋯ Luftverbrauch bei/Air consumption at 8 bar
- ⋯ Luftverbrauch bei/Air consumption at 6 bar