

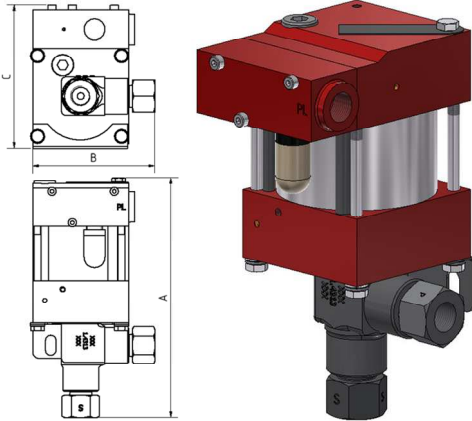
Technical Data Sheet

M72 (L)

» Oil service

M72 (L) VE

» Water service



M72 (L)
single acting, single air drive head
(Standard= Bottom inlet)

Technical Data:

Air drive pressure: 1 - 10 bar / 14.5 - 145 psi

Calculated working pressure: 860 bar / 12470 psi

Pressure ratio: 1:86

Displacement volume/double stroke: 1.5 cm³ / 0.09 cu.inch

Connections:

Inlet: Standard: Bottom Inlet
3/8" BSP

Outlet: 3/8" BSP

Air drive: 3/8" BSP

Maximum operating temperature: 60°C

Net weight: 2.8 kg

Pressure and flow performances, please see enclosed graph.

Wetted materials of construction:

Seal package: M72(L): Polyurethane

M72(L)VE: UHMWPE, FKM

Pump Body: 1.4313

Piston: 1.4112

Fittings: 1.4104

Approximate Dimensions:

A: 202 mm

B: 102 mm

C: 120 mm

Available Options:

Seal material for oil service: M72(L)

Seal material for water service: M72(L)VE

Side inlet: M72(L)S/ M72(L)VES

Hand lever/ Spring return: M72-HL
(only available with seal package Polyurethane, NBR)

External pilot port modification: M72(L)-DIR

Special inlet and outlet ports, i.e. NPT: M72(L)-NPT

M72(L)VE-NPT

Special seal material to handle special fluids on request.

Available Accessories:

Air control units for M series with filter pressure regulator, control pressure gauge and shut off valve: M72(L) with C1

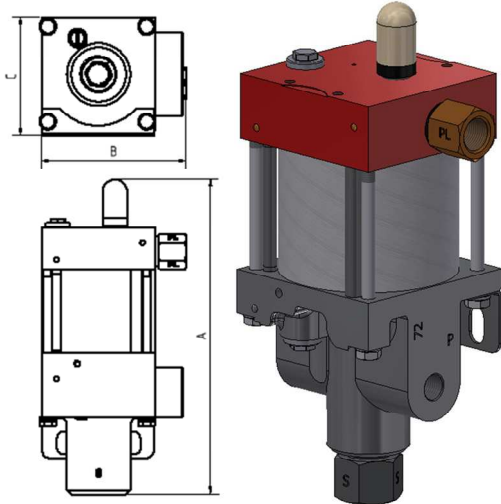
To protect the pump against excessive outlet pressures or to limit the outlet pressure, a safety valve M72(L) with C1/SV-air (The required outlet pressure has to be indicated.) can be fitted to the air control unit in the air drive line.

Please consult factory for more information. All technical and dimensional information subject to change. All General Terms and Conditions of sale, including limitations of our liability, apply to all products and services sold.

Technical Data Sheet

MO72

» Oil service



MO72

Single acting, single air drive head
(Standard= Bottom inlet)

Technical Data:

Air drive pressure:	1 - 10 bar / 14.5 - 145 psi
Calculated working pressure:	880 bar / 12760 psi
Pressure ratio:	1:88
Displacement volume/double stroke:	1.5 cm ³ / 0.09 cu.inch

Connections:

Inlet:	Standard: Bottom Inlet 3/8" BSP
Outlet:	1/4" BSP
Air drive:	3/8" BSP
Maximum operating temperature:	60°C
Net weight:	3.0 kg

Pressure and flow performances, please see enclosed graph.

Wetted materials of construction:

Top cap:	3.1645
Air cylinder:	3.3206
Seal package:	Polyurethane, NBR
Pump Body:	0.7050
Piston:	1.4112

Approximate Dimensions:

A:	227.5 mm
B:	103 mm
C:	85 mm

Available Options:

Side inlet:	MO72S
External pilot port modification:	MO72-DIR
Special inlet and outlet ports, i.e. NPT:	MO72-NPT
Special seal material to handle special fluids on request.	

Available Accessories:

Air control units with filter pressure regulator, control pressure gauge and shut off valve:	MO72 with C1
To protect the pump against excessive outlet pressures or to limit the outlet pressure, a safety valve can be fitted to the air control unit in the air drive line.	MO72 with C1/SV-air (The required outlet pressure has to be indicated.)

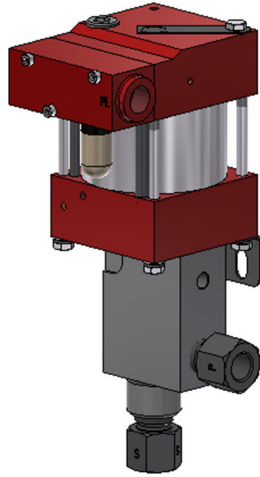
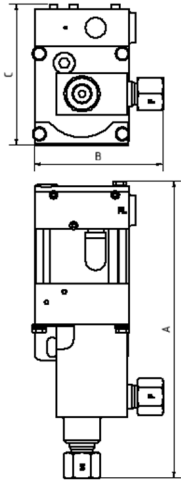
Please consult factory for more information. All technical and dimensional information subject to change. All General Terms and Conditions of sale, including limitations of our liability, apply to all products and services sold.



Technical Data Sheet

MSF72(L)

» Special liquids



MSF72(L)
single acting, single air drive head and
distance piece
(Standard= Bottom inlet)

Technical Data:

Air drive pressure: 1 - 10 bar / 14.5 - 145 psi

Calculated working pressure: 860 bar / 12479 psi

Pressure ratio: 1:86

Displacement volume/double stroke: 1.5 cm³/ 0.09 cu.inch

Connections:

Inlet: Standard: Bottom Inlet 3/8" BSP

Outlet: 3/8" BSP

Air drive: 3/8" BSP

Maximum operating temperature: 60°C

Net weight: 3.5 kg

Pressure and flow performances, please see enclosed graph.

Wetted materials of construction:

Seal package: MSF72(L): PTFE, FKM

Pump Body: 1.4305

Piston: 1.4112

Fittings: 1.4404

Approximate Dimensions:

A: 247 mm

B: 120 mm

C: 108 mm

Available Options:

Side inlet: MSF72(L)S

Special inlet and outlet ports, i.e. NPT: MSF72(L)-NPT

Special seal material to handle special fluids on request.

Available Accessories:

Air control units with filter pressure regulator, control pressure gauge and shut off valve: MSF72(L) with C1

To protect the pump against excessive outlet pressures or to limit the outlet pressure, a safety valve MSF72(L) with C1/SV-air (The required outlet pressure has to be indicated.) can be fitted to the air control unit in the air drive line.

Please consult factory for more information. All technical and dimensional information subject to change. All General Terms and Conditions of sale, including limitations of our liability, apply to all products and services sold.



Leistungsdiagramm/Performance Graph M(O)(SF) 72

Prüfflüssigkeit/Test Liquid: Wasser-Öl-Emulsion/Water Oil Emulsion ca. 1 - 10 cst

