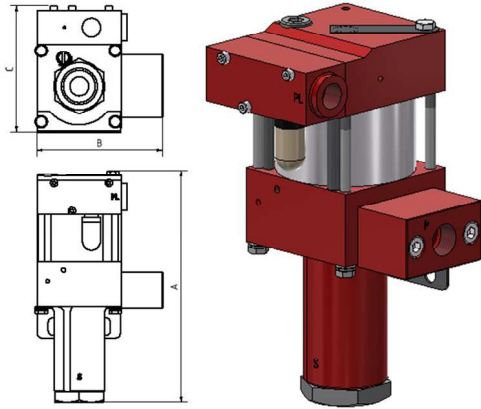


Technical Data Sheet

M4 (L) » Oil service
 M4 (L) VE » Water service



M4 (L)
 single acting, single air drive head
 (Standard= Bottom inlet)

Technical Data:

Air drive pressure:	1 - 10 bar / 14.5 - 145 psi
Calculated working pressure:	40 bar / 580 psi
Pressure ratio:	1:4
Displacement volume/double stroke:	30.5 cm ³ / 1.86 cu.inch

Connections:

Inlet:	Standard: Bottom Inlet 1" BSP
Outlet:	1/2" BSP
Air drive:	3/8" BSP
Maximum operating temperature:	60°C
Net weight:	3.0 kg

Pressure and flow performances, please see enclosed graph.

Wetted materials of construction:

Seal package:	M4(L): Polyurethane, NBR M4(L)VE: UHMWPE, FKM
Pump Body:	3.1645
Piston:	1.4112
Fittings:	Inlet: 1.4305 Outlet: 3.1645

Approximate Dimensions:

A:	221 mm
B:	119 mm
C:	120 mm

Available Options:

Seal material for oil service:	M4(L)
Seal material for water service:	M4(L)VE
Special inlet and outlet ports, i.e. NPT:	M4(L)-NPT M4(L)VE-NPT
Special seal material to handle special fluids on request.	

Available Accessories:

Air control units for M series with filter pressure regulator, control pressure gauge and shut off valve: M4(L) with C1

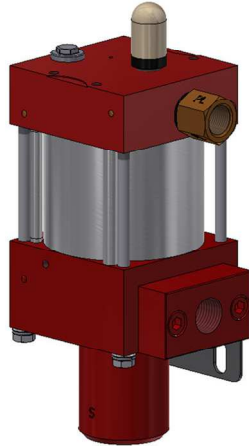
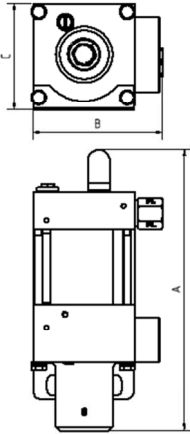
To protect the pump against excessive outlet pressures or to limit the outlet pressure, a safety valve M4(L) with C1/SV-air (The required outlet pressure has to be indicated.) can be fitted to the air control unit in the air drive line.

Please consult factory for more information. All technical and dimensional information subject to change. All General Terms and Conditions of sale, including limitations of our liability, apply to all products and services sold.

Technical Data Sheet

MO4

» Oil service



MO4
 single acting, single air drive head
 (Standard= Bottom inlet)

Technical Data:

Air drive pressure:	1 - 10 bar / 14.5 - 145 psi
Calculated working pressure:	40 bar / 580 psi
Pressure ratio:	1:4
Displacement volume/double stroke:	30.5 cm ³ / 1.86 cu.inch

Connections:

Inlet:	Standard: Bottom Inlet 3/4" BSP
Outlet:	1/2" BSP
Air drive:	3/8" BSP
Maximum operating temperature:	60°C
Net weight:	2.5 kg

Pressure and flow performances, please see enclosed graph.

Wetted materials of construction:

Top cap:	3.1645
Air cylinder:	3.3206
Seal package:	Polyurethane, NBR
Pump Body:	3.1645
Piston:	1.4112

Approximate Dimensions:

A:	223.5 mm
B:	102 mm
C:	84 mm

Available Options:

Special inlet and outlet ports, i.e. NPT:	MO4-NPT
Special seal material to handle special fluids on request.	

Available Accessories:

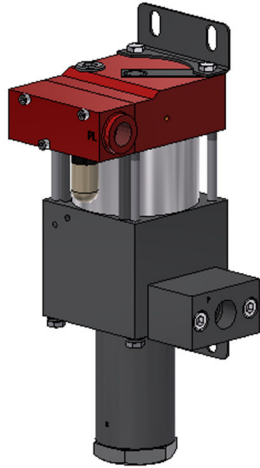
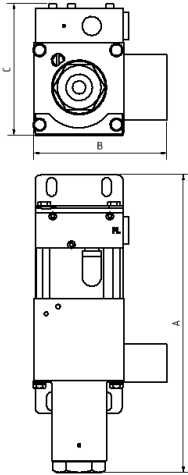
Air control units with filter pressure regulator, control pressure gauge and shut off valve:	MO4 with C1
To protect the pump against excessive outlet pressures or to limit the outlet pressure, a safety valve can be fitted to the air control unit in the air drive line.	MO4 with C1/SV-air (The required outlet pressure has to be indicated.)

Please consult factory for more information. All technical and dimensional information subject to change. All General Terms and Conditions of sale, including limitations of our liability, apply to all products and services sold.

Technical Data Sheet

MSF4(L)

» Special liquids



MSF4(L)
single acting, single air drive head and
distance piece
(Standard= Bottom inlet)

Technical Data:

Air drive pressure:	1 - 10 bar / 14.5 - 145 psi
Calculated working pressure:	40 bar / 580 psi
Pressure ratio:	1:4
Displacement volume/double stroke:	30.5 cm ³ / 1.86 cu.inch

Connections:

Inlet:	Standard: Bottom Inlet 1" BSP
Outlet:	1/2" BSP
Air drive:	3/8" BSP
Maximum operating temperature:	60°C
Net weight:	6.7 kg

Pressure and flow performances, please see enclosed graph.

Wetted materials of construction:

Seal package:	MSF4(L): PTFE
Pump Body:	1.4404
Piston:	1.4404
Fittings:	Inlet: 1.4305 Outlet: 1.4404

Approximate Dimensions:

A:	279 mm
B:	122 mm
C:	120 mm

Available Options:

Side inlet:	not available
Special inlet and outlet ports, i.e. NPT:	MSF4(L)-NPT
Special seal material to handle special fluids on request.	

Available Accessories:

Air control units with filter pressure regulator, control pressure gauge and shut off valve:	MSF4(L) with C1
To protect the pump against excessive outlet pressures or to limit the outlet pressure, a safety valve can be fitted to the air control unit in the air drive line.	MSF4 (L) with C1/SV-air (The required outlet pressure has to be indicated.)

Please consult factory for more information. All technical and dimensional information subject to change. All General Terms and Conditions of sale, including limitations of our liability, apply to all products and services sold.



Leistungsdiagramm/Performance Graph M(O)(SF) 4

Prüfflüssigkeit/Test Liquid: Wasser-Öl-Emulsion/Water Oil Emulsion ca. 1 - 10 cst

