

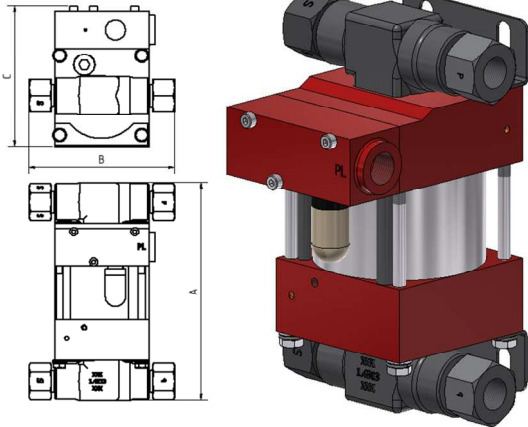
Technical Data Sheet

M22D

» Oil service

M22DVE

» Water service



M22D
double acting, single air drive head
(Standard= Side inlet)

Technical Data:

Air drive pressure: 1 - 10 bar / 14.5 - 145 psi

Calculated working pressure: 280 bar / 4060 psi

Pressure ratio: 1:28

Displacement volume/double stroke: 9.2 cm³ / 0.56 cu.inch

Connections:

Inlet: Standard: Side Inlet 3/8" BSP

Outlet: 3/8" BSP

Air drive: 3/8" BSP

Maximum operating temperature: 60°C

Net weight: 3.7 kg

Pressure and flow performances, please see enclosed graph.

Wetted materials of construction:

Seal package: M22D: Polyurethane

M22DVE: UHMWPE, FKM

Pump Body: 1.4313

Piston: 1.4112

Fittings: 1.4104

Approximate Dimensions:

A: 185 mm

B: 124 mm

C: 120 mm

Available Options:

Seal material for oil service: M22D

Seal material for water service: M22DVE

Liquid inlet: Standard: side inlet, bottom inlet not available

Special inlet and outlet ports, i.e. NPT: M22D-NPT
M22DVE-NPT

Special seal material to handle special fluids on request.

Available Accessories:

Air control units for M series with filter pressure regulator, control pressure gauge and shut off valve: M22D with C1

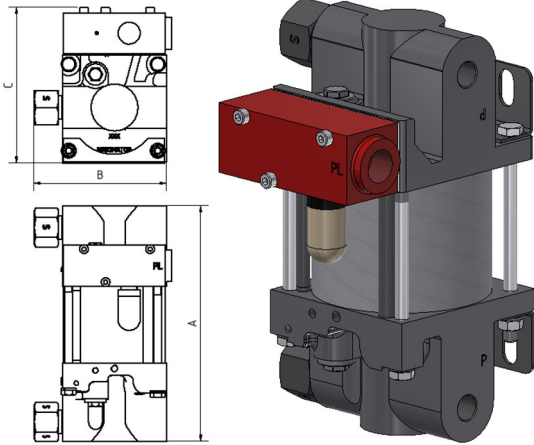
To protect the pump against excessive outlet pressures or to limit the outlet pressure, a safety valve can be fitted to the air control unit in the air drive line. M22D with C1/SV-air (The required outlet pressure has to be indicated.)

Please consult factory for more information. All technical and dimensional information subject to change. All General Terms and Conditions of sale, including limitations of our liability, apply to all products and services sold.

Technical Data Sheet

MO22D

» Oil service



MO22D
double acting, single air drive head
(Standard= Side inlet)

Technical Data:

Air drive pressure:	1 - 10 bar / 14.5 - 145 psi
Calculated working pressure:	280 bar / 4060 psi
Pressure ratio:	1:28
Displacement volume/double stroke:	9.2 cm ³ / 0.56 cu.inch

Connections:

Inlet:	3/8" BSP
Outlet:	1/4" BSP
Air drive:	3/8" BSP
Maximum operating temperature:	60°C
Net weight:	4.5 kg

Pressure and flow performances, please see enclosed graph.

Wetted materials of construction:

Top cap:	0.7050
Air cylinder:	3.3206
Seal package:	Polyurethane, NBR
Pump Body:	0.7050
Piston:	1.4112

Approximate Dimensions:

A:	185.5 mm
B:	108 mm
C:	122.5 mm

Available Options:

Special inlet and outlet ports, i.e. NPT:	MO22D-NPT
Special seal material to handle special fluids on request.	

Available Accessories:

Air control units with filter pressure regulator, control pressure gauge and shut off valve:	MO22D with C1
To protect the pump against excessive outlet pressures or to limit the outlet pressure, a safety valve can be fitted to the air control unit in the air drive line.	MO22D with C1/SV-air (The required outlet pressure has to be indicated.)

Please consult factory for more information. All technical and dimensional information subject to change. All General Terms and Conditions of sale, including limitations of our liability, apply to all products and services sold.



Leistungsdiagramm/Performance Graph M(O) 22 D

Prüfflüssigkeit/Test Liquid: Wasser-Öl-Emulsion/Water Oil Emulsion ca. 1 - 10 cst

