

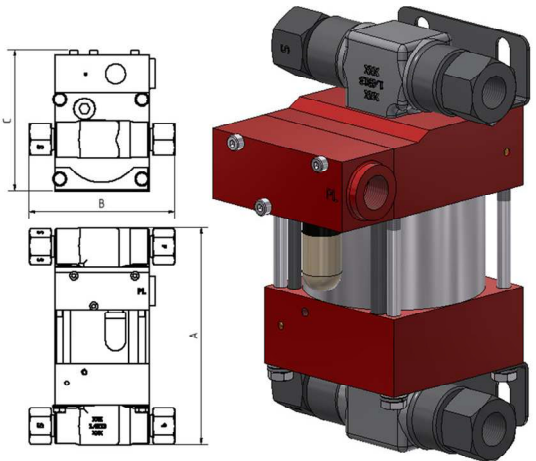
Technical Data Sheet

M189D

» Oil service

M189DVE

» Water service



M189D

double acting, single air drive head
(Standard= Side inlet)

Technical Data:

Air drive pressure:	1 - 10 bar / 14.5 - 145 psi
Calculated working pressure:	2200 bar / 31900 psi
Pressure ratio:	1:220
Displacement volume/double stroke:	1.2 cm ³ / 0.07 cu.inch

Connections:

Inlet:	Standard: Side Inlet 3/8" BSP
Outlet:	3/8" BSP
Air drive:	3/8" BSP
Maximum operating temperature:	60°C
Net weight:	3.7 kg

Pressure and flow performances, please see enclosed graph.

Wetted materials of construction:

Seal package:	M189D: Polyurethane M189DVE: UHMWPE, FKM
Pump Body:	1.4313
Piston:	1.4112
Fittings:	1.4542

Approximate Dimensions:

A:	185 mm
B:	124 mm
C:	120 mm

Available Options:

Seal material for oil service:	M189D
Seal material for water service:	M189DVE
Liquid inlet:	Standard: side inlet, bottom inlet not available
Special inlet and outlet ports, i.e. NPT:	M189D-NPT M189DVE-NPT
Special seal material to handle special fluids on request.	

Available Accessories:

Air control units for M series with filter pressure regulator, control pressure gauge and shut off valve: M189D with C1

To protect the pump against excessive outlet pressures or to limit the outlet pressure, a safety valve M189D with C1/SV-air (The required outlet pressure has to be indicated.) can be fitted to the air control unit in the air drive line.

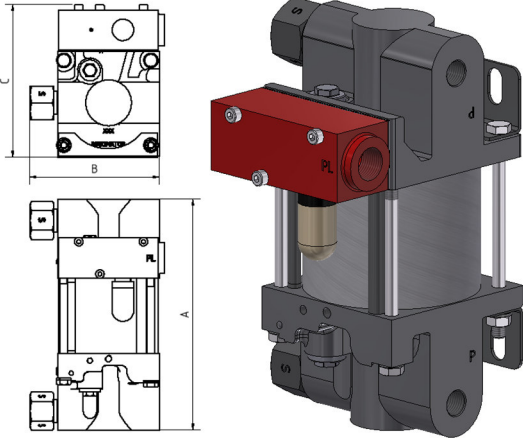
Please consult factory for more information. All technical and dimensional information subject to change. All General Terms and Conditions of sale, including limitations of our liability, apply to all products and services sold.



Technical Data Sheet

MO189D

» Oil service



MO189D
double acting, single air drive head
(Standard= Side inlet)

Technical Data:

Air drive pressure:	1 - 10 bar / 14,5 - 145 psi
Calculated working pressure:	1000 bar / 14504 psi
Pressure ratio:	1:220
Displacement volume/double stroke:	1.2 cm ³ / 0.07 cu.inch

Connections:

Inlet:	3/8" BSP
Outlet:	1/4" BSP
Air drive:	3/8" BSP
Maximum operating temperature:	60°C
Net weight:	4.5 kg

Pressure and flow performances, please see enclosed graph.

Wetted materials of construction:

Top cap:	0.7050
Air cylinder:	3.3206
Seal package:	Polyurethane, NBR
Pump Body:	0.7050
Piston:	1.4112

Approximate Dimensions:

A:	185.5 mm
B:	108 mm
C:	122.5 mm

Available Options:

Special inlet and outlet ports, i.e. NPT:	MO189D-NPT
Special seal material to handle special fluids on request.	

Available Accessories:

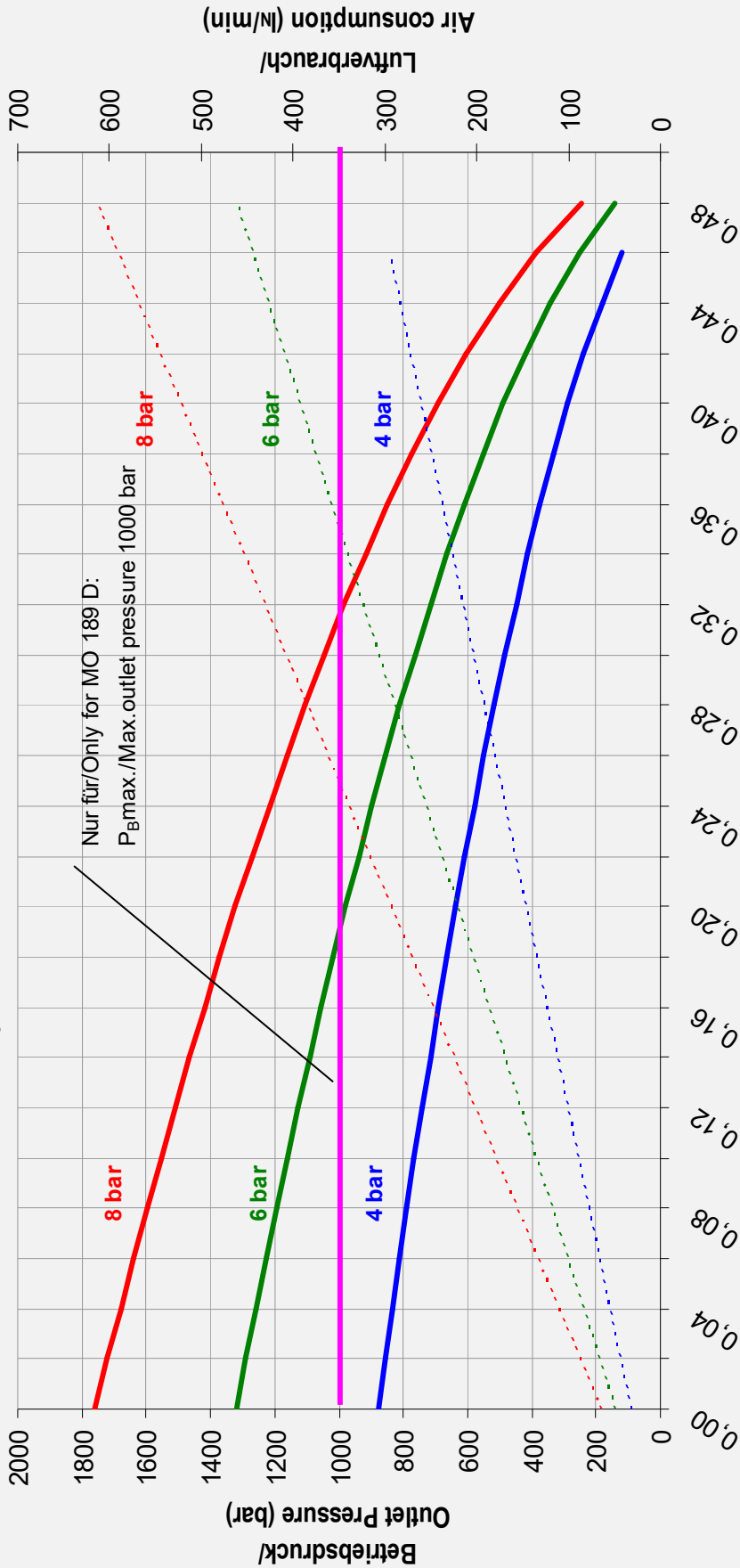
Air control units with filter pressure regulator, control pressure gauge and shut off valve:	MO189D with C1
To protect the pump against excessive outlet pressures or to limit the outlet pressure, a safety valve can be fitted to the air control unit in the air drive line.	MO189D with C1/SV-air (The required outlet pressure has to be indicated.)

Please consult factory for more information. All technical and dimensional information subject to change. All General Terms and Conditions of sale, including limitations of our liability, apply to all products and services sold.



Leistungsdiagramm/Performance Graph M(O) 189 D

Prüfflüssigkeit/Test Liquid: Wasser-Öl-Emulsion/Water Oil Emulsion ca. 1 - 10 cst



- Betriebsdruck bei/Outlet Pressure at 4 bar
- Betriebsdruck bei/Outlet Pressure at 6 bar
- Betriebsdruck bei/Outlet Pressure at 8 bar
- Luftverbrauch bei/Air consumption at 4 bar
- Luftverbrauch bei/Air consumption at 6 bar
- Luftverbrauch bei/Air consumption at 8 bar