

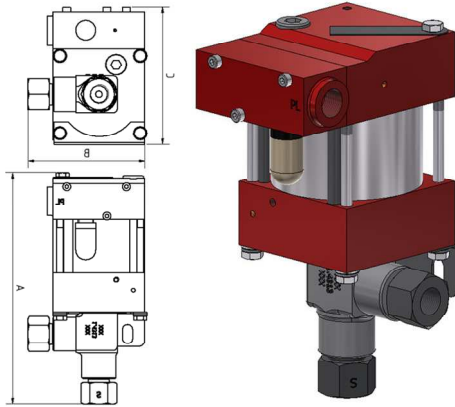
Technical Data Sheet

M189 (L)

» Oil service

M189 (L) VE

» Water service



M189 (L)
single acting, single air drive head
(Standard= Bottom inlet)

Technical Data:

Air drive pressure: 1 - 10 bar / 14.5 - 145 psi

Calculated working pressure: 2200 bar / 31900 psi

Pressure ratio: 1:220

Displacement volume/double stroke: 0.6 cm³ / 0.04 cu.inch

Connections:

Inlet: Standard: Bottom Inlet 3/8" BSP

Outlet: 3/8" BSP

Air drive: 3/8" BSP

Maximum operating temperature: 60°C

Net weight: 2.8 kg

Pressure and flow performances, please see enclosed graph.

Wetted materials of construction:

Seal package: M189(L): Polyurethane
M189(L)VE: UHMWPE, FKM

Pump Body: 1.4313

Piston: 1.4112

Fittings: 1.4542

Approximate Dimensions:

A: 202 mm

B: 102 mm

C: 120 mm

Available Options:

Seal material for oil service: M189(L)

Seal material for water service: M189(L)VE

Side inlet: M189(L)S/ M189(L)VES

Hand lever/ Spring return: M189-HL
(only available with seal package Polyurethane, NBR)

External pilot port modification: M189(L)-DIR

Special inlet and outlet ports, i.e. NPT: M189(L)-NPT

M189(L)VE-NPT

Special seal material to handle special fluids on request.

Available Accessories:

Air control units for M series with filter pressure regulator, control pressure gauge and shut off valve: M189(L) with C1

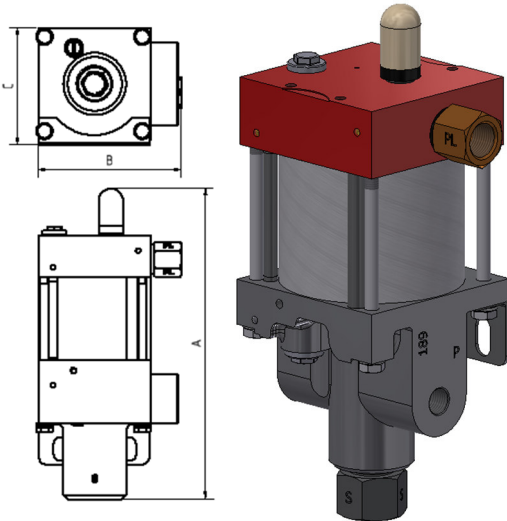
To protect the pump against excessive outlet pressures or to limit the outlet pressure, a safety valve M189(L) with C1/SV-air (The required outlet pressure has to be indicated.) can be fitted to the air control unit in the air drive line.

Please consult factory for more information. All technical and dimensional information subject to change. All General Terms and Conditions of sale, including limitations of our liability, apply to all products and services sold.

Technical Data Sheet

MO189

» Oil service



MO189
single acting, single air drive head
(Standard= Bottom inlet)

Technical Data:

Air drive pressure:	1 - 10 bar / 14.5 - 145 psi
Calculated working pressure:	1000 bar/ 14504 psi
Pressure ratio:	1:220
Displacement volume/double stroke:	0.6 cm ³ / 0.04 cu.inch

Connections:

Inlet:	Standard: Bottom Inlet 3/8" BSP
Outlet:	1/4" BSP
Air drive:	3/8" BSP
Maximum operating temperature:	60°C
Net weight:	3.0 kg

Pressure and flow performances, please see enclosed graph.

Wetted materials of construction:

Top cap:	3.1645
Air cylinder:	3.3206
Seal package:	Polyurethane, NBR
Pump Body:	0.7050
Piston:	1.4112

Approximate Dimensions:

A:	227.5 mm
B:	103 mm
C:	85 mm

Available Options:

Side inlet	MO189S
External pilot port modification	MO189-DIR
Special inlet and outlet ports, i.e. NPT	MO189-NPT
Special seal material to handle special fluids on request.	

Available Accessories:

Air control units with filter pressure regulator, control pressure gauge and shut off valve:	MO189 with C1
To protect the pump against excessive outlet pressures or to limit the outlet pressure, a safety valve can be fitted to the air control unit in the air drive line.	MO189 with C1/SV-air (The required outlet pressure has to be indicated.)

Please consult factory for more information. All technical and dimensional information subject to change. All General Terms and Conditions of sale, including limitations of our liability, apply to all products and services sold.



Leistungsdiagramm/Performance Graph M(O) 189

Prüfflüssigkeit/Test Liquid: Wasser-Öl-Emulsion/Water Oil Emulsion ca. 1 - 10 cst

