



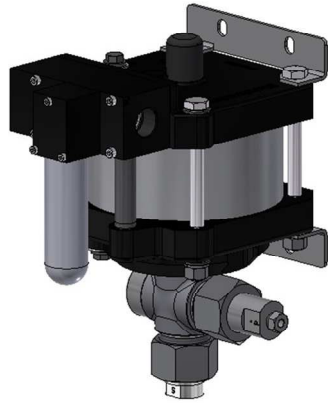
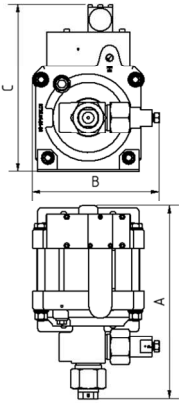
## Technical Data Sheet

G300 (L)

» Oil service

G300 (L) VE

» Water service



G300 (L)

single acting, single air drive head, side inlet  
(Standard= Bottom inlet, see dimension drawing)

### Technical Data:

Air drive pressure:	1 - 10 bar / 14.5 - 145 psi
Calculated working pressure:	3140 bar/ 45530 psi
Pressure ratio:	1:314
Displacement volume/double stroke:	3.2 cm <sup>3</sup> / 0.20 cu.inch

### Connections:

Inlet:	Standard: Bottom Inlet 1/2" BSP
Outlet:	9/16-18UNF
Air drive:	3/4" BSP
Maximum operating temperature:	60°C
Net weight:	13.5 kg

Pressure and flow performances, please see enclosed graph.

### Wetted materials of construction:

Seal package:	G300(L): Polyurethane, NBR G300(L)VE: UHMWPE, NBR
Pump Body:	1.4313
Piston:	1.4542
Fittings:	G300(L): Inlet: 1.4122 Outlet: 1.4542 G300(L)VE: Inlet: 1.4305 Outlet: 1.4542

### Approximate Dimensions:

A:	312 mm
B:	206 mm
C:	272 mm

### Available Options:

Seal material for oil service:	G300 (L)
Seal material for water service:	G300(L)VE
Side inlet:	G300(L)S/ G300(L)VES
Special inlet and outlet ports, i.e. NPT:	G300(L)-NPT G300(L)VE-NPT

Special seal material to handle special fluids on request.

### Available Accessories:

Air control units with filter pressure regulator, control pressure gauge and shut off valve:	G300(L) with C2
To protect the pump against excessive outlet pressures or to limit the outlet pressure, a safety valve can be fitted to the air control unit in the air drive line.	G300(L) with C2/SV-air (The required outlet pressure has to be indicated.)

Please consult factory for more information. All technical and dimensional information subject to change. All General Terms and Conditions of sale, including limitations of our liability, apply to all products and services sold.



# Leistungsdiagramm/Performance Graph G 300

Prüfflüssigkeit/Test Liquid: Wasser-Öl-Emulsion/Water Oil Emulsion ca. 1 - 10 cst

