



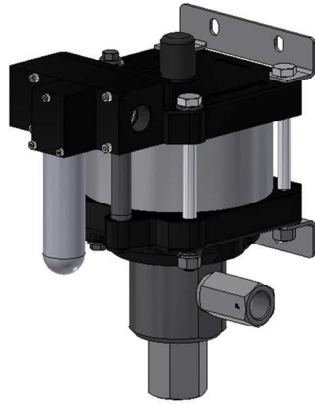
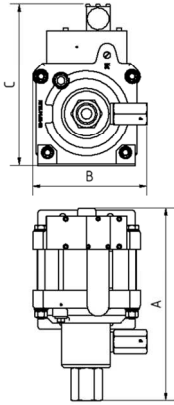
Technical Data Sheet

G15 (L)

» Oil service

G15 (L) VE

» Water service



G15 (L)
single acting, single air drive head
(Standard= Bottom inlet)

Technical Data:

Air drive pressure:	1 - 10 bar / 14.5 - 145 psi
Calculated working pressure:	160 bar / 2320 psi
Pressure ratio:	1:16
Displacement volume/double stroke:	62.0 cm ³ / 3.78 cu.inch

Connections:

Inlet:	Standard: Bottom Inlet 1" BSP
Outlet:	3/4" BSP
Air drive:	3/4" BSP
Maximum operating temperature:	60°C
Net weight:	16.0 kg

Pressure and flow performances, please see enclosed graph.

Wetted materials of construction:

Seal package:	G15 (L): Polyurethane, NBR G15 (L)VE: UHMWPE, FKM
Pump Body:	1.4404
Piston:	1.4542
Fittings:	G15 (L): 1.4305 G15 (L)VE: 1.4404

Approximate Dimensions:

A:	324.5 mm
B:	192.5 mm
C:	272 mm

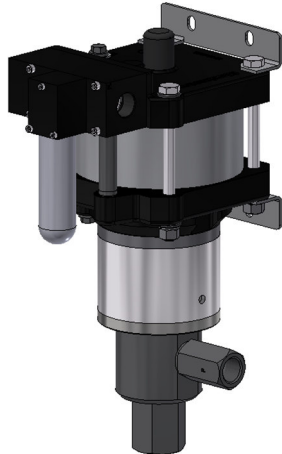
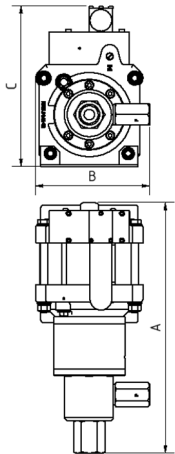
Available Options:

Seal material for oil service:	G15 (L)
Seal material for water service:	G15(L)VE
Side inlet:	G15(L)S/ G15(L)VES
Special inlet and outlet ports, i.e. NPT	G15(L)-NPT G15(L)VE-NPT
Special seal material to handle special fluids on request.	

Available Accessories:

Air control units with filter pressure regulator, control pressure gauge and shut off valve:	G15(L) with C2
To protect the pump against excessive outlet pressures or to limit the outlet pressure, a safety valve can be fitted to the air control unit in the air drive line.	G15(L) with C2/SV-air (The required outlet pressure has to be indicated.)

Please consult factory for more information. All technical and dimensional information subject to change. All General Terms and Conditions of sale, including limitations of our liability, apply to all products and services sold.



GSF15 (L)
single acting, single air drive head
with distance piece (Standard = Bottom inlet)

Technical Data:

Air drive pressure:	1 - 10 bar / 14.5 - 145 psi
Calculated working pressure:	160 bar / 2320 psi
Pressure ratio:	1:16
Displacement volume/double stroke:	62.0 cm ³ / 3.78 cu.inch

Connections:

Inlet:	Standard: Bottom Inlet 1" BSP
Outlet:	3/4" BSP
Air drive:	3/4" BSP
Maximum operating temperature:	60°C
Net weight:	20.0 kg

Pressure and flow performances, please see enclosed graph.

Wetted materials of construction:

Seal package:	GSF15(L): PTFE GSF15(L)VE: UHMWPE, FKM
Pump Body:	1.4404
Piston:	1.4542
Fittings:	1.4404

Approximate Dimensions:

A:	424.5 mm
B:	192.5 mm
C:	272 mm

Available Options:

Side inlet:	GSF15(L)S
Special inlet and outlet ports, i.e. NPT:	GSF15(L)-NPT
Special seal material to handle special fluids on request.	

Available Accessories:

Air control units with filter pressure regulator, control pressure gauge and shut off valve:	GSF15(L) with C2
To protect the pump against excessive outlet pressures or to limit the outlet pressure, a safety valve can be fitted to the air control unit in the air drive line.	GSF15(L) with C2/SV-air (The required outlet pressure has to be indicated.)

Please consult factory for more information. All technical and dimensional information subject to change. All General Terms and Conditions of sale, including limitations of our liability, apply to all products and services sold.



Leistungsdiagramm/Performance Graph G(SF) 15

Prüfflüssigkeit/Test Liquid: Wasser-Öl-Emulsion/Water Oil Emulsion ca. 1 - 10 cst

